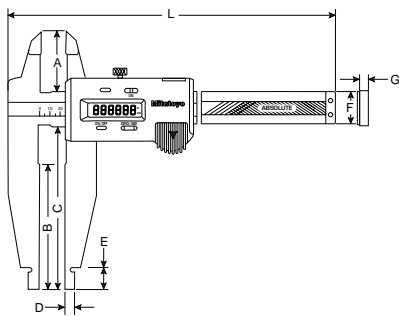


CALIPERS

Digimatic Calipers with Absolute Encoder Series 551



551-224-10



Dimensions (Unit: inch)

Order No.	L	A	B	C	D	E	F	G
551-221-10	11.34	1.18	1.69	2.36	.20	.31	.63	.118
551-241-10	15.87	1.57	2.68	3.54	.20	.39	.79	.150
551-224-10	26.77	2.20	4.51	5.90	.25	.59	.98	.236
551-226-10	37.91	2.20	4.51	5.90	.25	.59	.98	.236
551-227-10	48.43	2.20	4.51	5.90	.50	.79	1.26	.315

G: Jaw Thickness

Features

- The sharp jaw edges provide easy access to portions that ordinary calipers cannot measure.
- The Digimatic Caliper provides digital readout to .0005"/0.01mm for error-free reading.

Technical Data:

Repeatability: .0005"/0.01mm
 Display: LCD 5-digit
 Functions: ON/OFF
 ZERO/ABS
 ORIGIN
 INCH/MM

Specifications

Digimatic Caliper with Absolute Encoder

Inch/Metric (with SPC output)

Order No.	Range Outside	Range Inside	LCD Resolution	Accuracy	Remarks
551-221-10	0-8" 0-200mm	.4-8" 10.16-200mm	.0005" 0.01mm	±.001"	without Depth Bar, Absolute Function Type
551-241-10	0-12" 0-300mm	.4-12.4" 10.16-310.16mm	.0005" 0.01mm	±.002"	without Depth Bar
551-224-10	0-20" 0-500mm	.5-20" 12.7-500mm	.0005" 0.01mm	±.0025"	without Depth Bar, Absolute Function Type
551-226-10	0-30" 0-750mm	.5-30" 12.7-750mm	.0005" 0.01mm	±.003"	without Depth Bar, Absolute Function Type
551-227-10	0-40" 0-1000mm	1.0-41" 25.4-1025mm	.0005" 0.01mm	±.003"	without Depth Bar, Absolute Function Type

SPC Connecting Cable: **959149** (1m) or **959150** (2m). Replacement Battery: **541980** (1 pc.), **541980-10** (10 pcs./SET)

Metric (with SPC output)

Order No.	Range Outside	Range Inside	LCD Resolution	Accuracy	Remarks
551-201-10	0-200mm	10-200mm	0.01mm	±0.03mm	without Depth Bar Absolute Function Type

SPC output order Connecting Cable **959149** (1m) or **959150** (2m) for replacement battery: **541980** (1 pc.), **541980-10** (10 pcs./SET)